

SARGCOOP

WORK PACKAGE : CARIBBEAN SARGASSUM FORUM

07 APRIL 2022 WEBINAR : « COLLECTION AND VALORIZATION OF SARGASSUM IN THE CARIBBEAN : ISSUES AND PROSPECTS »

Thierry BELLEGUIDE de BEAUPRE, La solution DESMI Sargasses, Containment et collecte en mer depuis la terre, une solution innovante et respectueuses de l'environnement, Directeur de la Maison de la Guadeloupe et des Iles, représentant de DESMI Sargasse, pour les Antilles Françaises, et îles avoisinantes





DESMI SEA TURTLE SARGAZO PROJECT

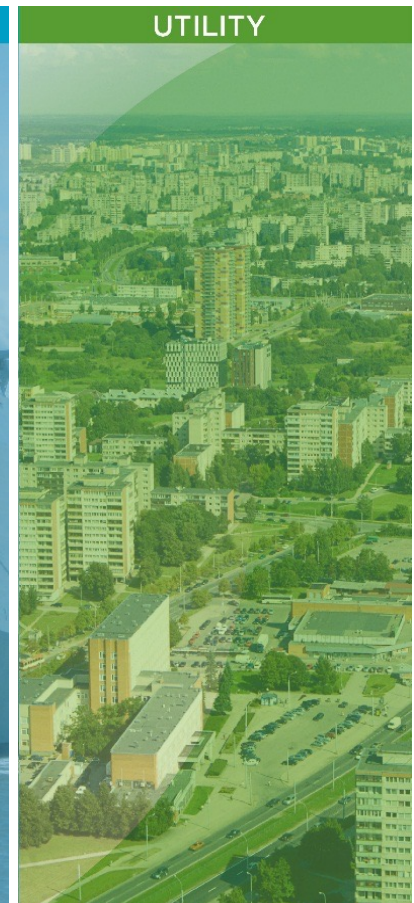
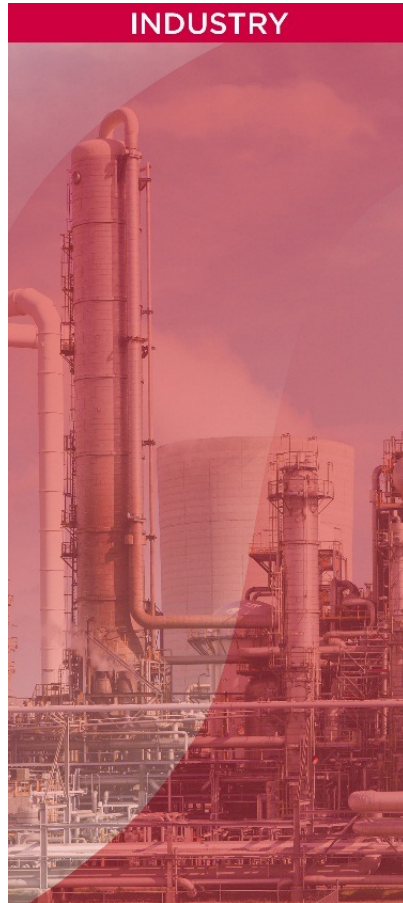
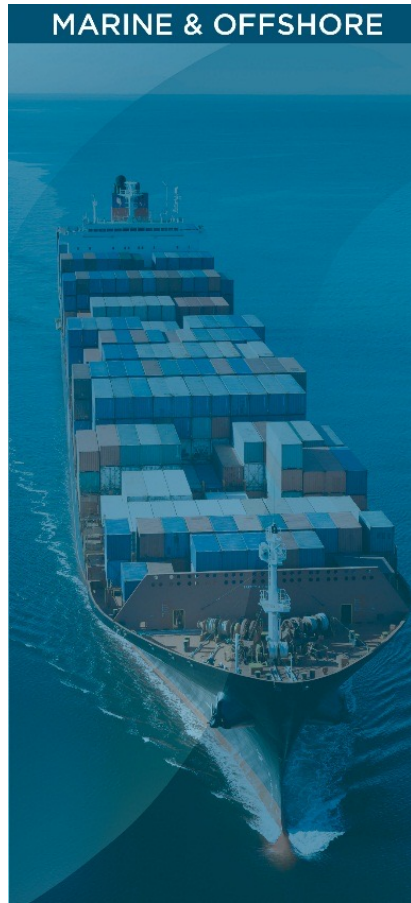
A Eco-Friendly Sargassum Management Alternative Solution

AGENDA



- DESMI
- Desmi Sea Turtle Sargazo Project
- DESMI Solution
- References - Summary

DESMI GROUP





SUSTAINABLE DEVELOPMENT GOALS

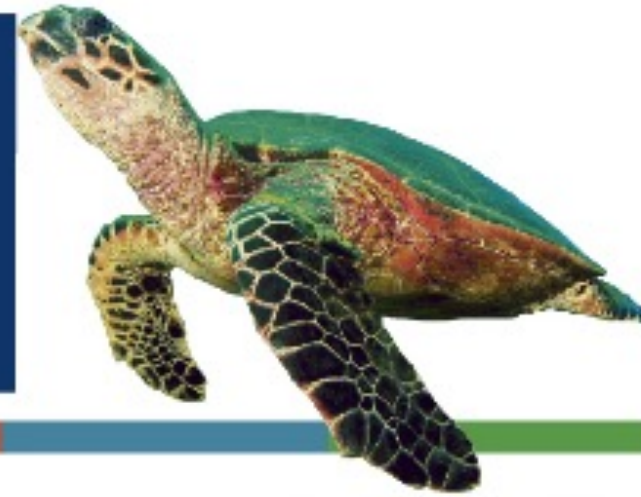


DESMI
EnviRo-Clean

=



DESMI



SEA TURTLE SARGAZO PROJECT

Who is DESMI?

DESMI is a Global Company, founded in Denmark in 1834, 5 commercial segments, + 700 employees, 5 factories (One in USA- Chesapeake-VA), 32 Rep Offices.

DESMI SEA TURTLE SARGAZO PROJECT,

Born in 2015 initially it was only an investigation and research Project.

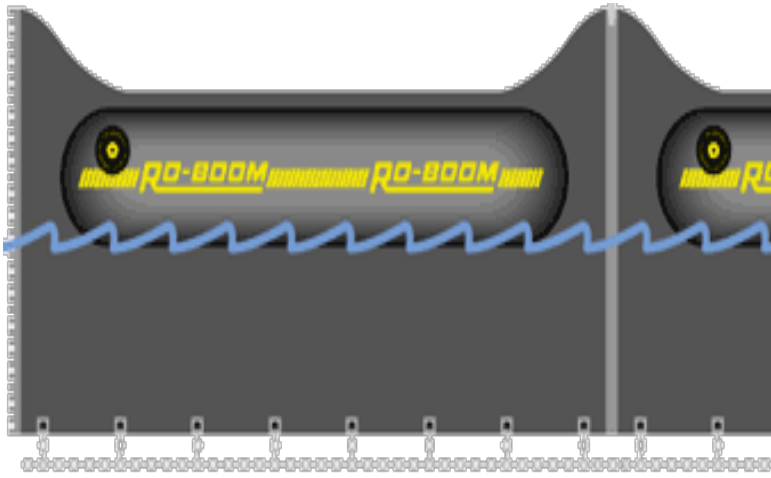
Developed ,searching for an ecological and cost-effective solution, for the Sargasso (seaweed) arrival to the Caribbean beaches. Now DESMI has available, a complete response system for Sargazo arrival and abatement.

After 4 prior boom models, DESMI solution is based on special Mesh boom to deflect the sargazo to a special mechanical floating removal unit located at the shore, able to remove free-of-sand Sargazo!

MORE THAN 7 YRS RESEARCH

- Using the advantage of being manufacturer of a very wide range of floating containment booms and removal units developed for more than 40 years for Oil Spill Response, after 4 years experiences, DESMI completed successfully its last SARGAZO management solution.
- This has been tested in 4 different locations in the Caribbean including tough conditions as big waves and heavy winds.





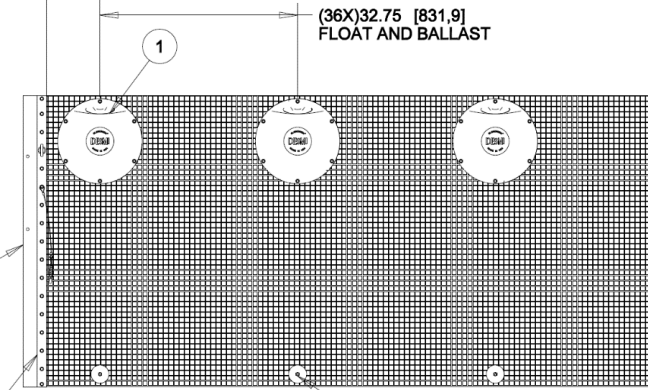
PREVIOUS BOOM – 50% Efficiency



PREVIOUS BOOM – 80% Efficiency

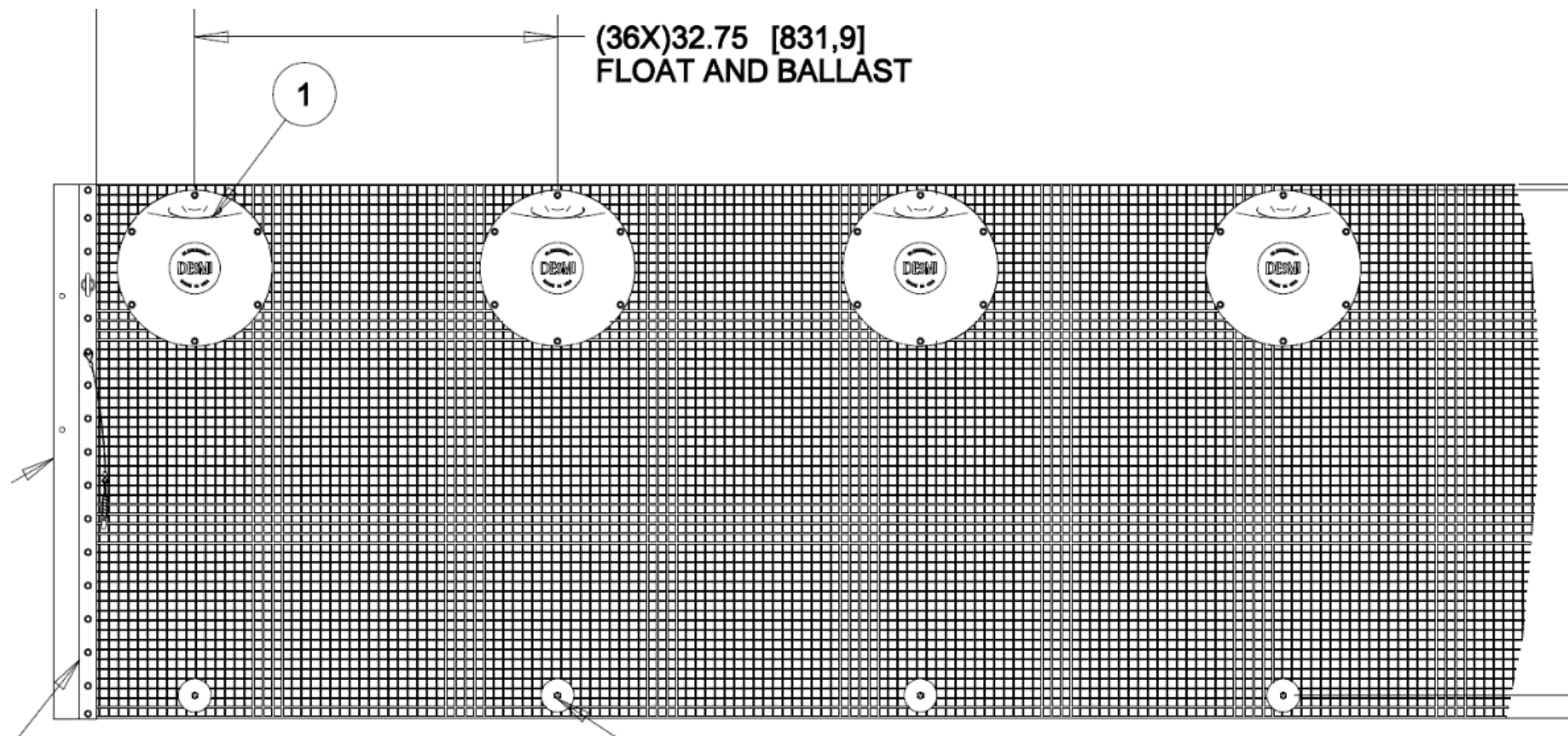


PREVIOUS BOOM – 85% Efficiency



ACTUAL BOOM +90% Efficiency

DESMI MESH BOOM CONSTRUCTION



DESMI MESH BOOM is based on a Nautical Grid that allows water and wind free passing but retains the sargazo protecting the beaches.

DESMI MESH BOOM IN OPERATION



Boom is installed on a deflection configuration; it protects the beach, and the same time concentrates the sargazo in a pocket configuration that avoids its contact with sand.

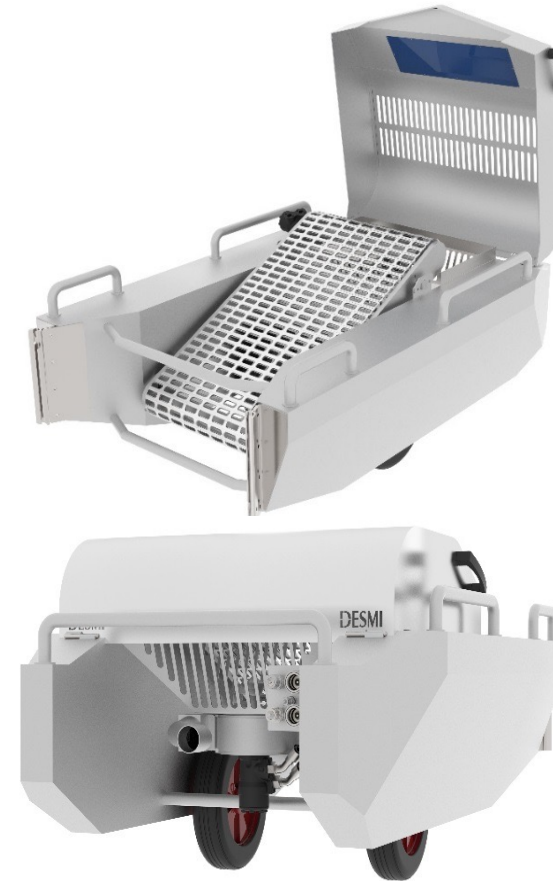
REMOVAL AREA



Once the sargazo is concentrated inside the pocket a mechanical floating unit hydraulically driven removes the sargazo using a conveyor belt and a transfer system, this unit is named

DESMI SEA TURTLE MKII.

DESMI SEA TURTLE MKII - Removal Unit



Sargazo Removal



The removal unit has a flexible discharge hose, that can be connected to standard water PVC pipes 6" buried under the sand, or rigid hoses.

Sargazo free-of-sand can be removed from water and transferred away from the beach up to 200 meters to containers or trucks for final disposal.



Main Features

- Sargazo removal capacity: 20 – 30 m³/hour
- It is able to operate even in bad weather conditions where boats will not be able to perform and do not need a crew or license!
- **Sargazo free of sand removal allows sargazo use as a resource.**
- The requirement for anchoring and maintenance of the boom is significantly smaller than rigid booms.
- Sargazo is not trapped by the DESMI MESH BOOM.
- Eco-friendly and economical solution.

NOS REFERENCES



AKUMAL – MEXICO

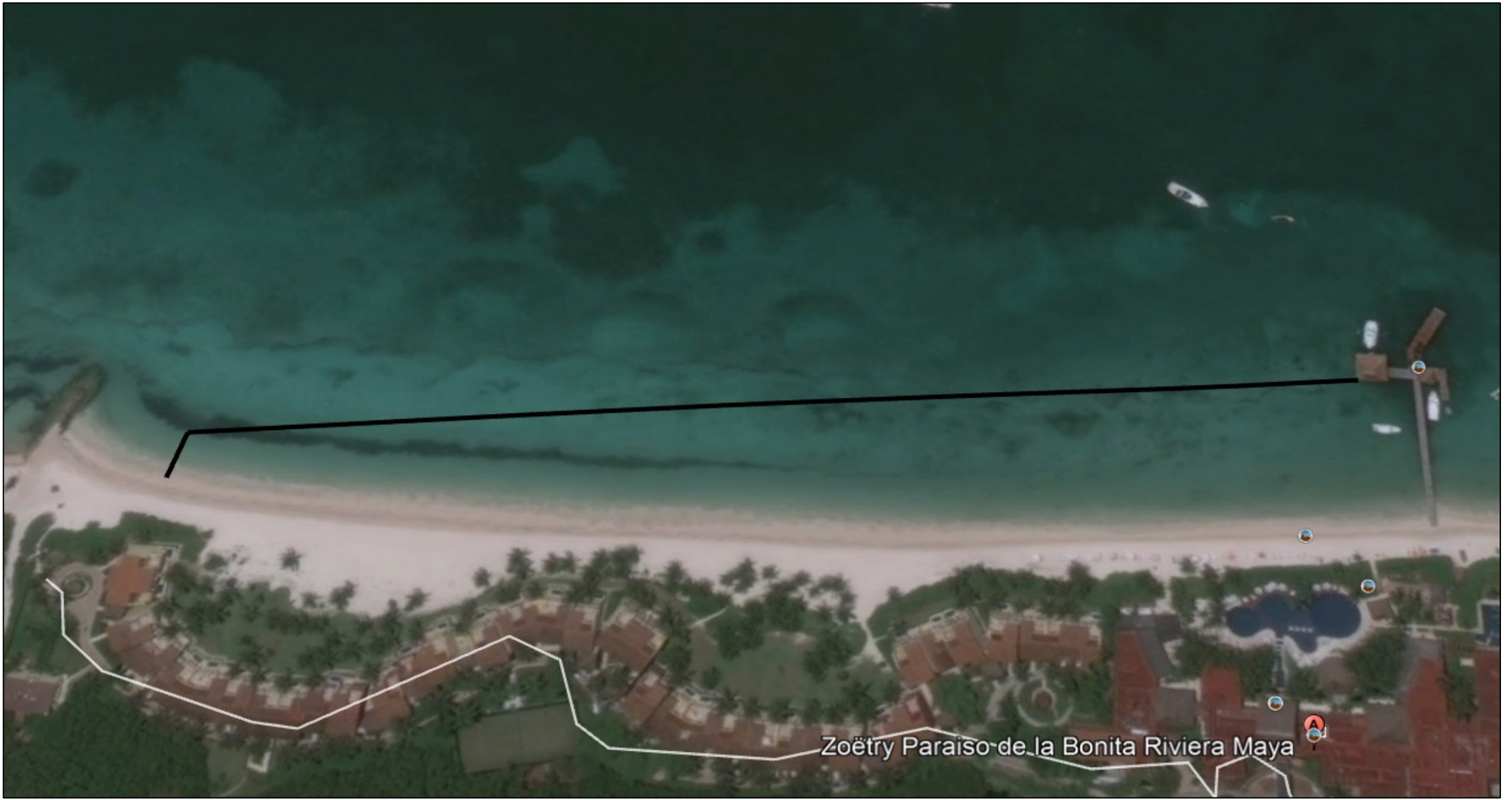






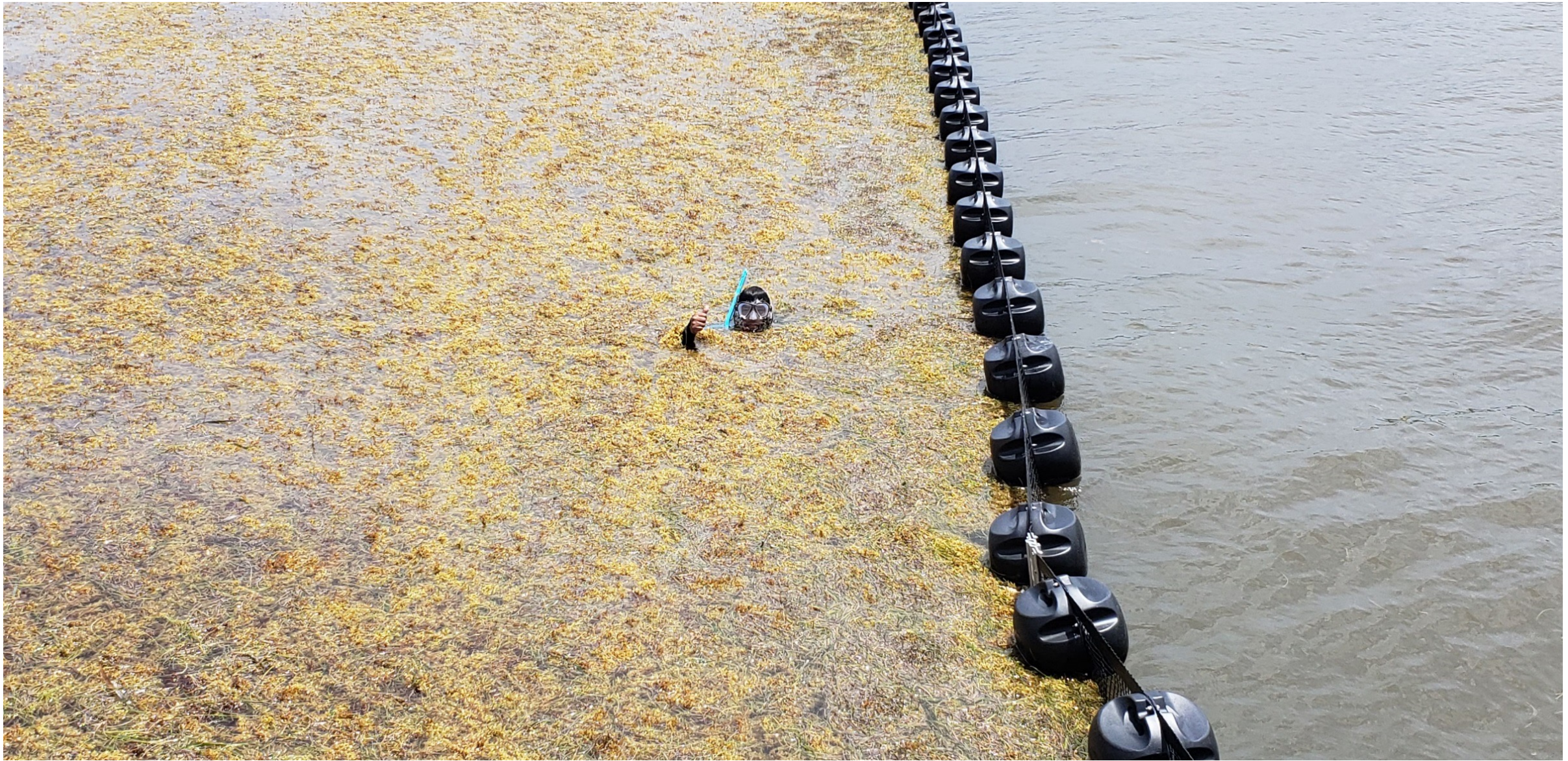


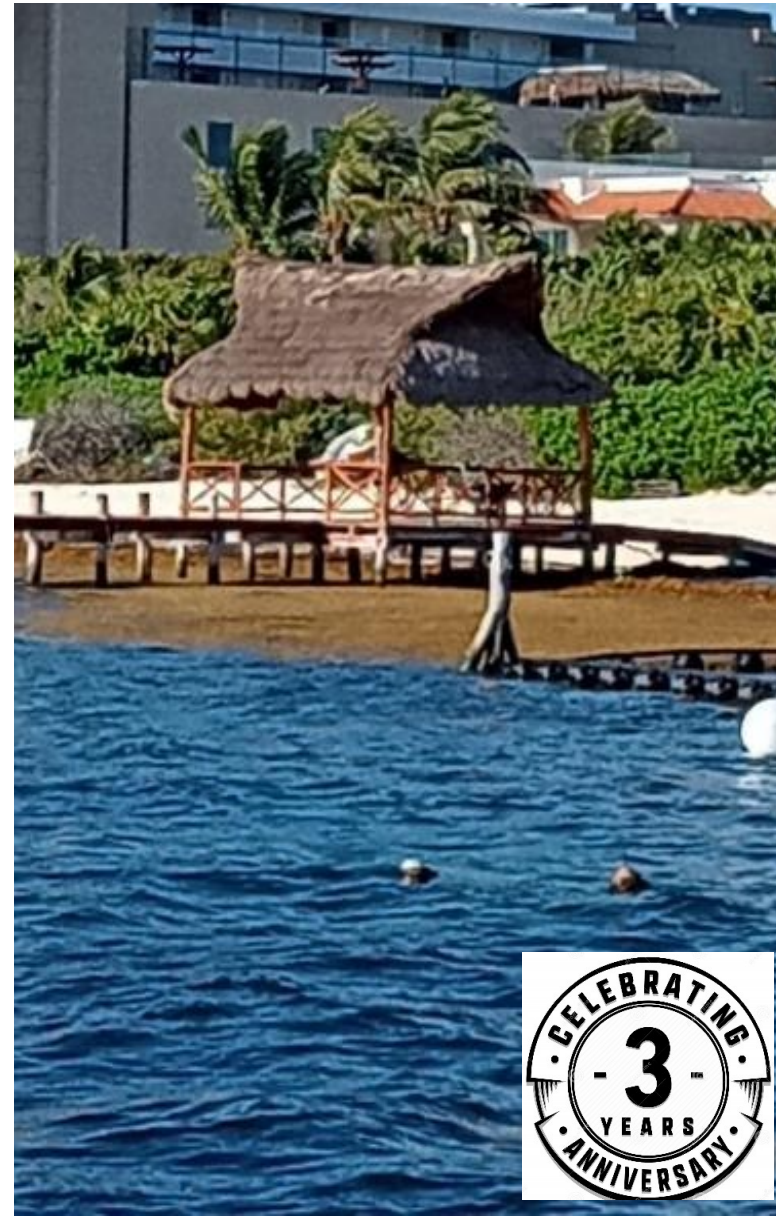




PUERTO MORELOS - MEXICO





















2022 NEW PROJECTS



2022 NEW PROJECTS

SUMMARY

- DESMI offers Proven Technology to manage Sargazo arrival for Caribbean Beaches
- Eco-friendly solution based on Mesh floating booms, anchored to the seabed to divert sargazo towards removal pockets, where the DESMI SEA TURTLE MKI is installed, to remove sargazo free of sand. Simple mechanical, no chemicals involved.
- Solution avoids the need, of heavy trucks on the beach.
- Compared with manual sargazo removal, DESMI solution requires much lower number of operators, no licenses required, low energy consumption, low maintenance, all weather system, shallow water operation.
- Cost effective, low investment compared with workboats.

Rolando Chávez Peñaherrera

DESMI SEAWEED



+593 999 724 289

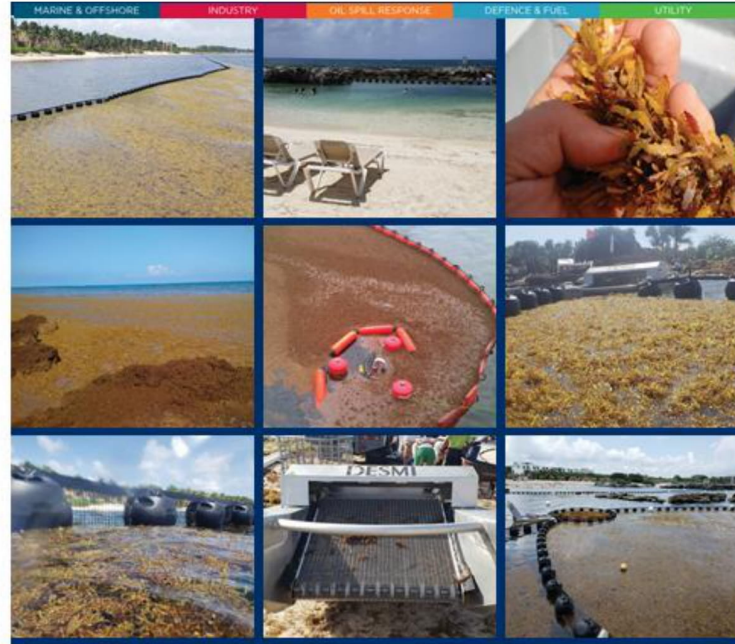


roc@desmi.com

www.desmi.com

Arrivée des Sargasses

Containement & Collecte



DESMI
www.desmi.com





Maison de la Guadeloupe
et des Îles

MAISON DE LA GUADELOUPE ET DES ÎLES
 Saint Jacques BP 195
 97118 Saint François
 Guadeloupe FWI
 Tel.: 590(0)590 686 755
 E-mail: beaupre97160@yahoo.fr